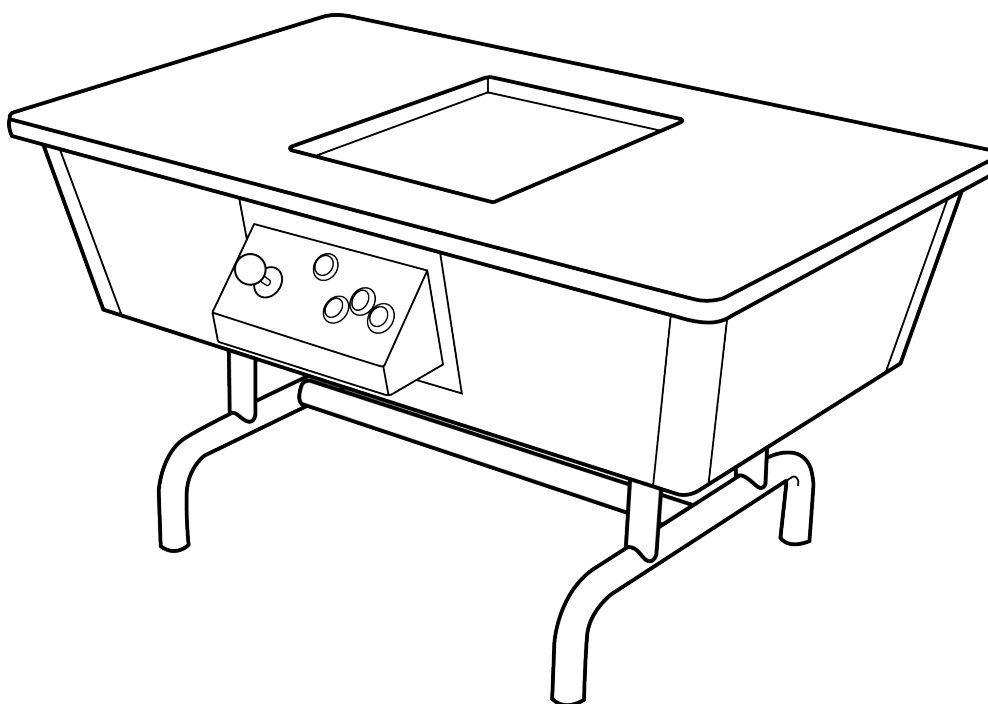


# USER MANUAL

---

Table 80's Arcade©

*60 games JAMMA Version*



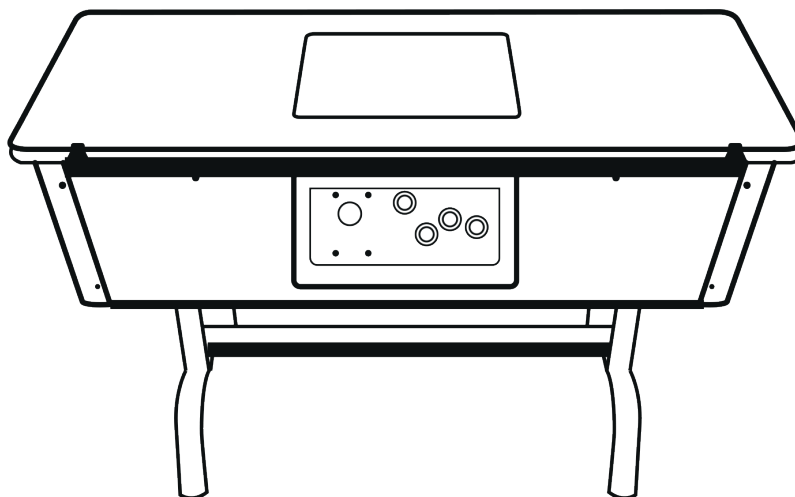
**PREMIUM ARCADE MACHINES**



# Table of contents

---

Presentation	1
Getting started	2
Navigation	3
Miscellaneous settings	4
Technical specifications	5
Maintenance and safety warnings	7
Warranty service	9



# Presentation

---

## *About the user manual*

Congratulations on your purchase of the Neo Legend system !  
Your Table 80's Arcade is equipped with the **RETRO 80** system with more than 60 games.

The following advice will help you get the most out of your arcade game for years to come. If it's not covered by the manual, we recommend getting the help of a qualified technician.

## *Safety warning*

**DO NOT PLACE** the Table 80's© is an area that is damp or dusty. The terminal should be kept at an ambient temperature of between 5°C (41°F) et 35°C (95°F). The console must be kept in an area with good air circulation. It must be placed on a level and stable surface.

For security reasons, ensure that the doors and other access areas of the console are kept closed. Open doors can easily be snagged by passing objects, causing serious damage.

**DO NOT USE** the console in proximity to a heat source such as a stove or fireplace, in the proximity of flammable gas, explosives or chemicals or other flammable products.

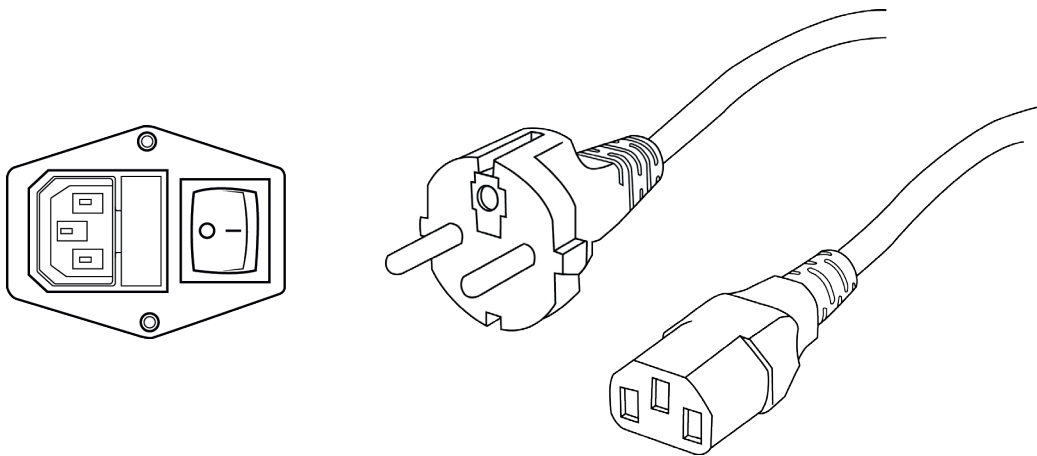
Immediately discontinue use of the console if you notice an abnormal smell or smoke emitting from it.

**TRANSPORT PRECAUTIONS.** To prepare your console for transport, you should shut it down and unplug the device, in order to avoid damage to the connections. You must not transport it whilst it is switched on. Before moving the console, ensure that you protect the screen and the panel. **WARNING !** Any strikes to the screen can cause permanent damage to the console. During transport, wherever possible, the console should be kept upright, and shaking should be avoided. For transport in a vehicle, the console must be properly secured to prevent falls.

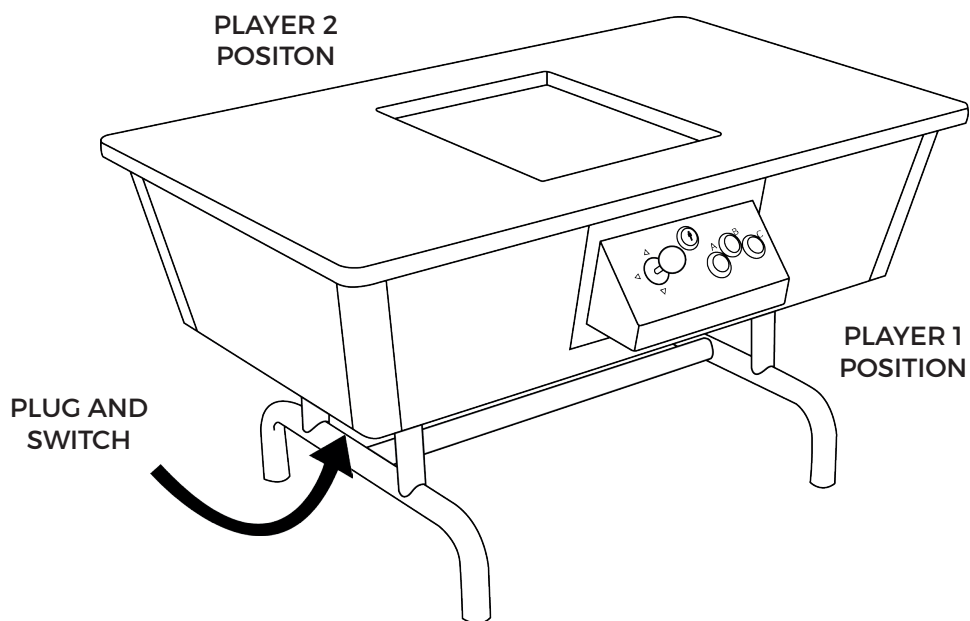
## Mise en route

---

- Plug the supplied power cord under the table in the top right corner when you are seated in place of **PLAYER 1**, and press the switch.



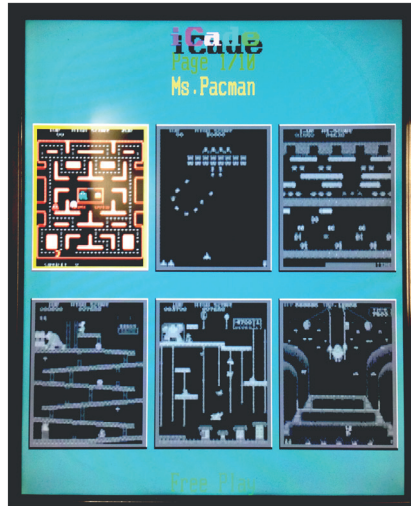
The position of the **PLAYER 1** by default is that for which the game screen is in the right direction ( and not reversed ).



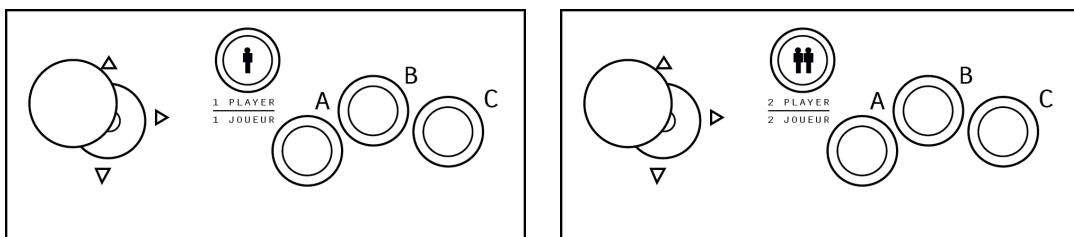
# Navigation

---

After initializing the system, you will be taken to the game selection menu.



- Use the **PLAYER 1** or **PLAYER 1** joystick to select the desired game. You can access a demo of the game using the **A** button of the **PLAYER 1** or **PLAYER 2** ; Press **A** again to return to the game selection menu.



- Validate your choice with **START PLAYER 1** if you want to play alone ; with **START PLAYER 2** to play for two.
- If you are playing and want to return to the game selection screen, you must lose all of your credits !

## *Extinction*

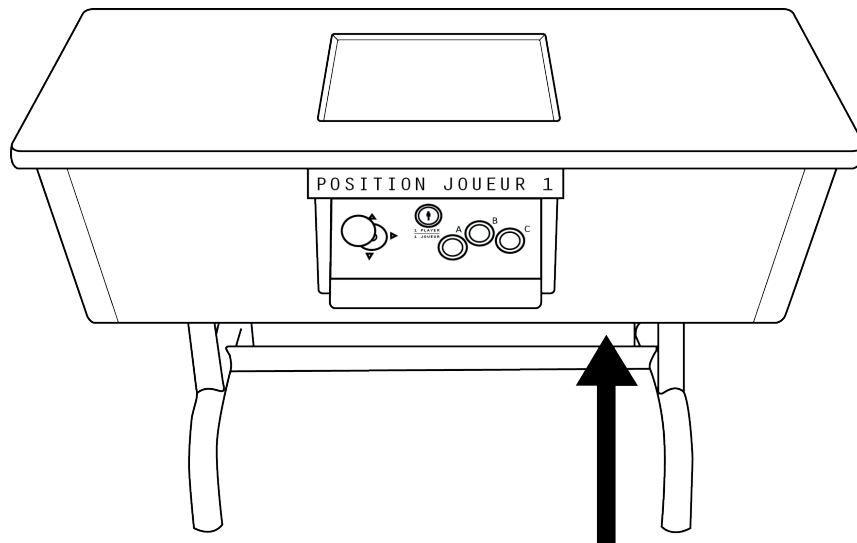
To turn off your table, simply press the switch again.

# Miscellaneous settings

---

## *Sound adjustment*

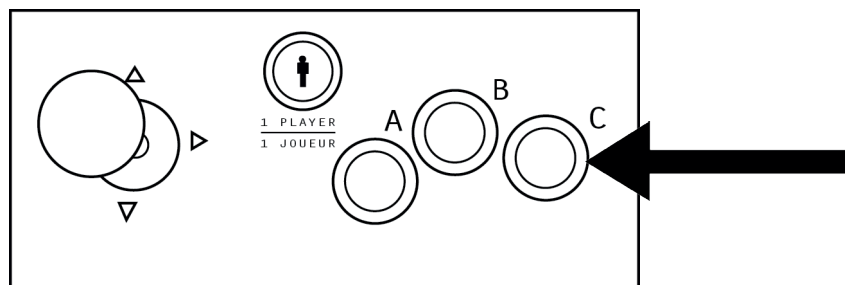
You can adjust the volume using the potentiometer under the table, on the **PLAYER 1**'s right.



## *Game system settings (optional)*

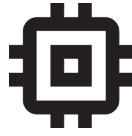
To access the game system settings « menu test », press the **C** button of the **PLAYER 1** before and while the table is starting, until it appears. Then you can access all the system settings, allowing you to adjust the difficulty of the games, the volume of the table, etc...

For navigation and specific settings, please refer to the additional game system manual, supplied with the Table 80's.



# Spécificités techniques

---



- Pro monitor « wideview »  
178° viewing angle
- 19 inches ( 48 cm diagonally ) –  
Format 4/3 vertical
- 1280 x 1024 HD resolution ( no latency )  
« Lag Free » Pixel Match Technology.
- Integrated mono amplifier 10 watts
- 1 loudspeakers 10 cm in diameter
- Potentiometer volume setting accessible at  
the control panel

- 1 ON/OFF switches with fuse protection  
«safe protect» (inside and outside)
- 100 watts consumption without games  
system
- Nominal output courant :  
3.42A (65W)/ 4.74A (90W)
- Nominal output voltage : 19V (CC)
- CE certified
- Power Cable with a 1m80 length



- Markless metal panel with high quality  
serigraphy
- White serigraphy for the controllers' pattern
- Melamine wood structure
- Original "T-molding" rubber 19 mm

- Chromed metal base
- Black painted transparent glass
- 55 cm (H), 105 cm (L), 63 cm (P).
- 50 Kg.





- 2 x 3 Sanwa Denshi OBSF/C 30, or Seimitsu PS14 KN. 30 mm gaming buttons, 1 million clicks guaranteed, high quality.
- 2 Sanwa Denshi JLF TP 8YT joysticks or Seimitsu LS32-01, adjusted in 4 ways, high quality.

- 2 mm Sanwa Denshi LB35 balltops, or Seimitsu LB39, high quality.
- 2 START Happ U.S style “old school” with 1 and 2 players patterns, 1 million clicks guaranteed, high quality.



- Standard configuration of the machine with the 80s retro system : including 60 must have games from the golden age of the video game.

# Maintenance and safety warnings

---

## *Maintenance of the console*

To maintain your console, you must : regularly dust the surfaces, clean the screen and the panel with a soft cloth, regularly clear the fans of accumulated dust. Do not use any cleaning products that contain alcohol, ammonia, petroleum or any abrasive substances. If cleaning is necessary, use a mild product with a soft cloth. You can use a cloth dampened with water or a very weak soap solution.

## *Electromagnetic signals*

Like all electronic equipment, the consoles can give off and receive electromagnetic signals. Neo Legend takes all necessary safety measures for its products, conforming to all existing safety norms regarding EMF at the time of manufacture of the products.

## *CE Mark*

With this document, Neo Legend declares that the equipment conforms to the essential norms, and to the other dispositions pertaining to directive 1999/5/CE.

This equipment conforms to the directives 2004/108/EC of the « Electromagnetic Compatibility » and 2006/95/EC on « Low Voltages ».

## *Recycling*

How should you dispose of your product at the end of its life ? Your product is conceived and made with high quality materials and components, which can be recycled and reused. This product is covered by the European Directive 2002/96/EC. Local facilities for recycling electric and electronic products vary. Please follow those guidelines of your local area and do not dispose of your used product with household waste. At the end of its life, dispose of your product in a center that is equipped to reduce potential negative consequences to the environment or to human health.

## ***Service and maintenance***

For all questions relating to the function of your console, contact your reseller or Neo Legend at the following email : sav@neo-legend.com or on +33 (0)1 44 63 06 23.

## ***Warning : Photosensitivity / Epilepsy seizures***

A very small percentage of individuals may experience epileptic seizures or blackouts when exposed to certain light patterns or flashing lights. Exposure to certain patterns or backgrounds on a television screen or when playing video games may trigger epileptic seizures or blackouts in these individuals. These conditions may trigger previously undetected epileptic symptoms or seizures in persons who have no history of prior seizures or epilepsy. If you, or anyone in your family has an epileptic condition or has had seizures of any kind, consult your physician before playing

- Avoid playing when you are tired or need sleep.
- Use in a well-lit area and keep as far away as possible from the screen.
- Take a 15-minute break during each hour of play.

# Warranty Service

---

Exclusions from the guarantee :

- The product has been examined, taken apart, repaired or modified by non-authorized persons ;
- The serial number has been altered, cancelled, removed or erased ;
- The guarantee seals have been broken, removed or altered ;
- The damage has been caused by an external electric failure ; of an incorrect use of the product, whether intentional or accidental, in the case of abuse, of negligence or of an inappropriate maintenance, or of use in abnormal conditions ;
- Damage caused by the use of components that are not made or sold by Neo Legend ;
- Damage which is caused by third-party software or viruses ;
- Software or settings which have been lost following a repair or a replacement which was not carried out by Neo Legend personnel ;

The return of the Table 80's Arcade© to your reseller during the guarantee period does not mean that the repairs will automatically be carried out free of charge. In effect, Neo Legend reserves the right, on receipt of the product, to verify the validity of your guarantee as well as the legitimacy of your repair request.

Neo Legend is in no way responsible for the return of peripherals that are contained with the returned product.

Neo Legend is in no way responsible for the loss of personal data or damage caused to removable personal stands.

## Favorite games & High Scores

---

-----

-----

-----

-----

-----

-----

-----

-----

-----

-----

-----

-----

-----

-----

-----

-----

-----

-----

-----

-----

-----

-----

-----

-----

-----

-----

-----

-----

-----

-----

-----

-----

-----

-----

-----

-----

-----

-----

-----

-----

-----

-----

-----

-----

-----

-----

-----

-----

-----

-----

-----

-----

-----

-----

-----

-----

-----

-----





## **PREMIUM ARCADE MACHINES**

DESIGNED AND HANDCRAFTED

IN FRANCE

BY NEO LEGEND

71 RUE CROZATIER - 75012 PARIS

+33 (0)1 44 63 06 23

[WWW.NEO-LEGEND.COM](http://WWW.NEO-LEGEND.COM)